

East Broad Top Railroad and Coal Company

Basic Flat car with Tank Car Adaptation

Tank EST: 28' 0"

DRAWN BY ROBERT F. SCHLECHTER

SCALE: 1/4 INCH = 1 FOOT

(Data from Steve Polkinghorn, John T. Derr,
and the late Vince Ryan)

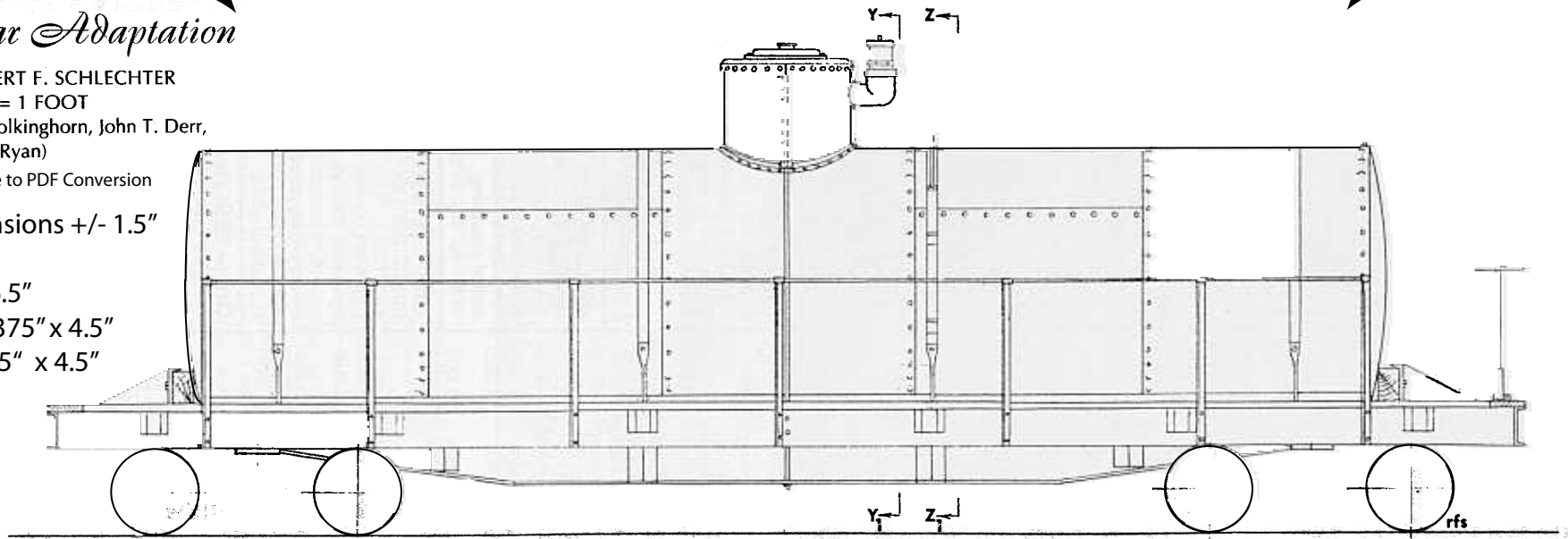
Note: Scale is off due to PDF Conversion

1:20.32 Dimensions +/- 1.5"

Tank: 3.5" x 16.5"

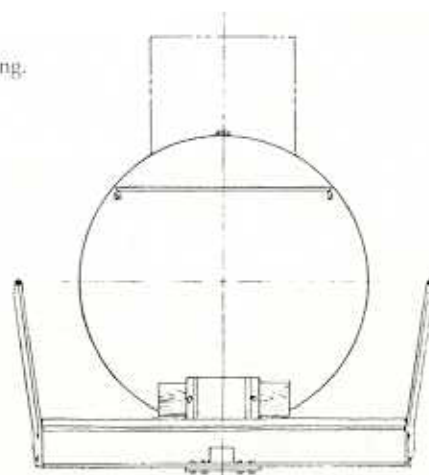
Steel Flat: 20.375" x 4.5"

Wood Flat: 18.5" x 4.5"

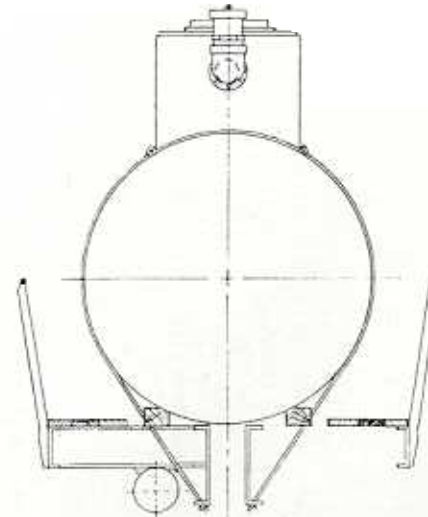


R&K: Steel Version #116 34' 6" Wood Version #102 31' 4"

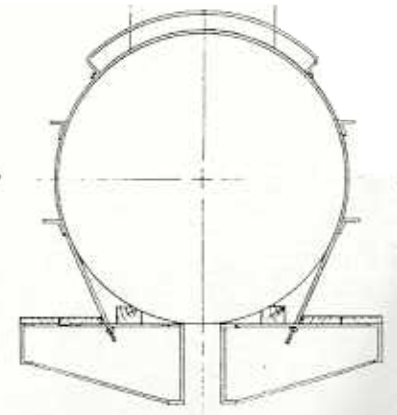
Notes: The tank was silver with black lettering.
The frame was boxcar red with white lettering.



R&K: Both Versions 7' 6"



Section Y-Y₁



Section Z-Z₁

Copyright © Robert F. Schlechter. All rights reserved.